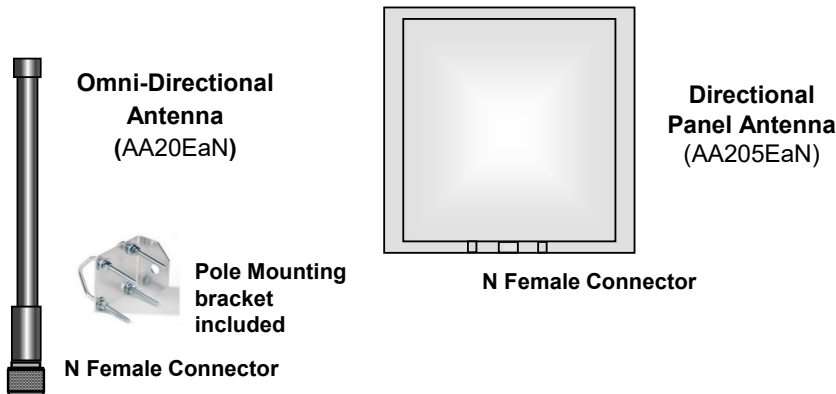


### Horizon 5.8 Enclosure Mounting



**Caution**  
To comply with the FCC exposure compliance requirements, a separation distance of at least 50 cm must be maintained between the antenna and all persons.

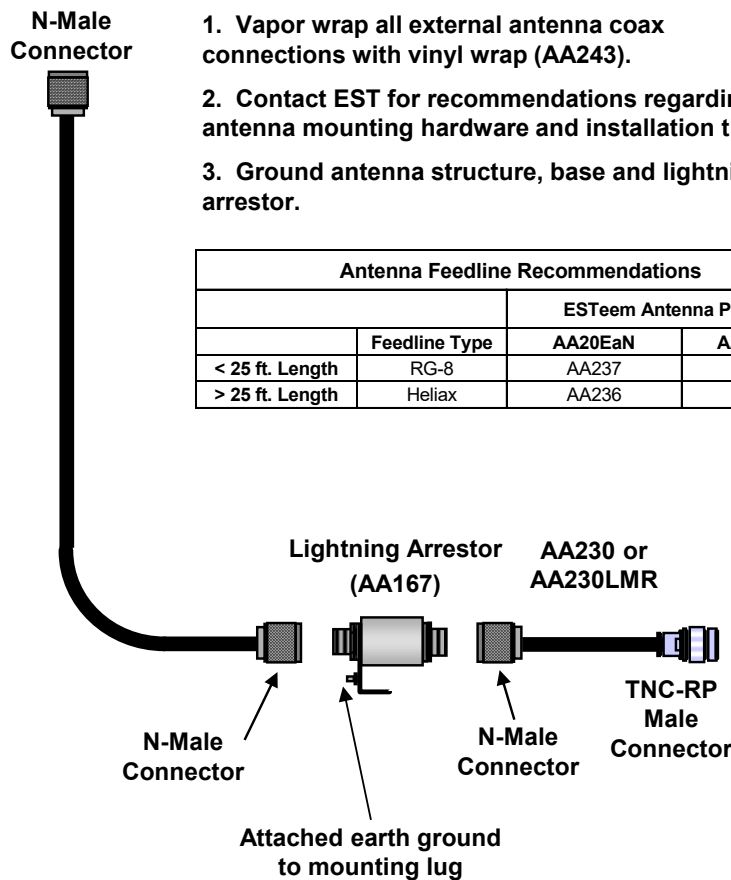
**NOTES**

1. Vapor wrap all external antenna coax connections with vinyl wrap (AA243).
2. Contact EST for recommendations regarding antenna mounting hardware and installation tips.
3. Ground antenna structure, base and lightning arrester.

Antenna Feedline Recommendations			
		ESTeem Antenna Part No.	
	Feedline Type	AA20EaN	AA205EaN
< 25 ft. Length	RG-8	AA237	AA237
> 25 ft. Length	Heliacx	AA236	AA236



**DIN Rail Mount (DIN-Mount)**



**12 VDC Power Recommendations**  
Power Supply AA179  
Battery Packs  
Solar Power



**Ethernet Interface Cable**