

Assembling The AA195PM Two Hole Outdoor Pole Mounting Kit

The AA195PM mounting kit contains all hardware items required for pole mounting and weatherproofing the ESTeem for outdoor installations. The ESTeem Model 195 series (195E & 195 Narrowband) and Horizon series modem together with the AA195PM mounting kit allows the modem to be directly mounted to a round pole between 1.25" and 2" in diameter. Any pole larger than 2" in diameter will require banding through the Pole Mount Brackets.

Step 1: Pole Mounting Kit Packaging

- a) If you purchased an AA195PM mounting kit with your ESTeem modem, the kit will be packed in the same packing box as the modem (Figure 1).

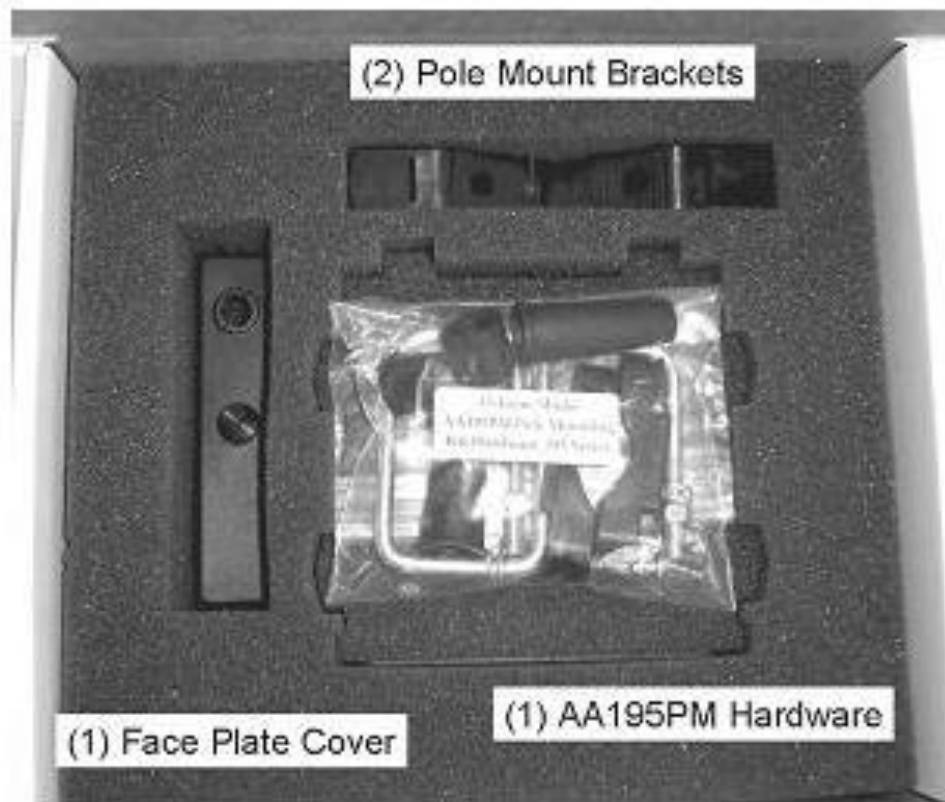


Figure 1: Pole Mounting Kit Packaging

Step 2: Tools Required for Assembly

(1) Philips Head Screwdriver



(1) ½ Inch Crescent Wrench



Figure 2: Tools Required for Assembly

Step 3: Parts Inventory

a) Remove the Pole Mounting Kit and be sure you have received the following:



(1) Face Plate Cover



(2) Pole Mount Brackets



(1) Heat Shield



(1) Package of Hardware

← Containing →



(4) 10-24
Philips Screws



(2) U-Bolts



(4) Washers



(4) ½ Inch Nuts



(2) Pole Mount
Clamps



(1) Weather Proof Boot
for Antenna Port B
(if not used)



(2) Ethernet
Cable Boots



(2) Direct Mount Antenna Boots
for ESTeem Approved
Direct Mount Antenna Only

Figure 3: Parts Inventory

Step 4: Heat Shield Attachment

- Place the four 10-24 Pan Screws into the holes on the underside of the Heat Shield.
- Attach the Heat Shield over the top of the ESTeem modem sliding the screws through the holes on either side of the modem's casing.

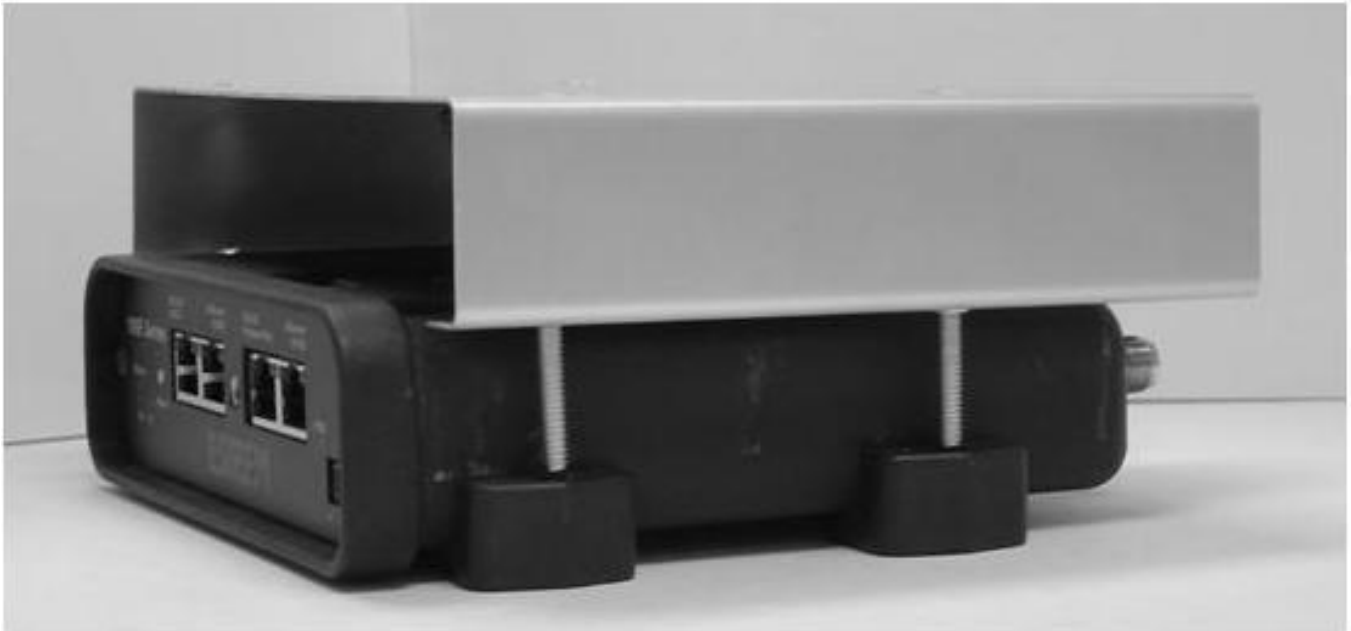


Figure 4: Heat Shield Attachment

Step 5: Pole Mounting Bracket Assembly

- Insert one U-bolt through one of the Pole Mounting Brackets.
- Repeat step "a" for second U-bolt and Pole Mounting Bracket.

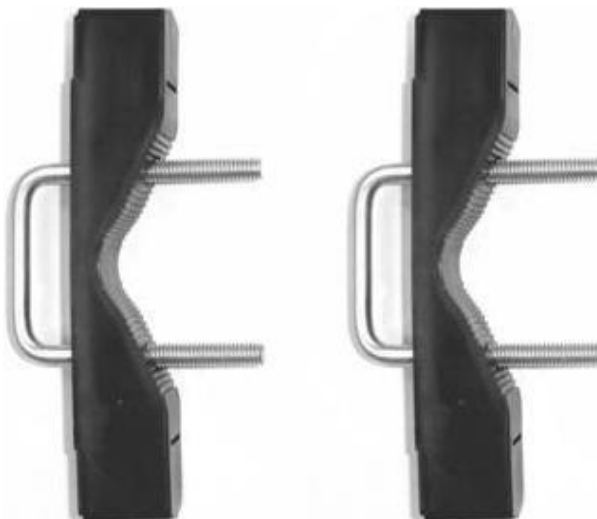


Figure 5: Bracket Assembly

Step 6: Pole Mounting Bracket Attachment

- On the bottom of the radio, line up one Pole Mounting Bracket Assembly with the exposed screws. Assembly will fit width wise across the bottom of modem.
- Using a Philips Head Screwdriver through the access holes provided in the Heat Shield, secure the Pole Mounting Bracket Assembly.
- Repeat steps “a” and “b” for the second Pole Mounting Bracket Assembly.

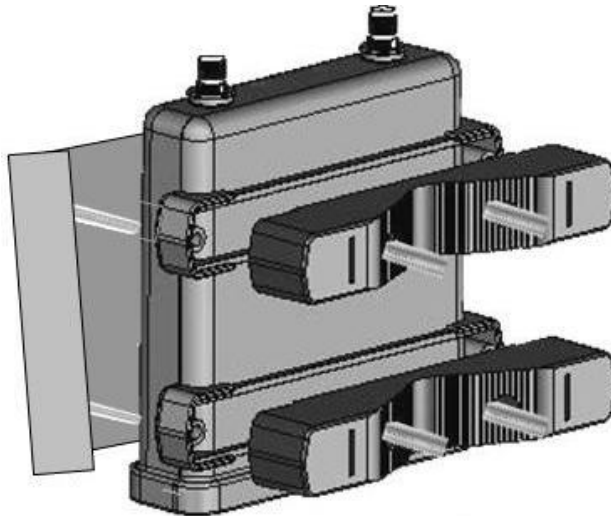


Figure 6: Pole Mounting Bracket Attachment

Step 7: Ethernet Cable Boot Assembly

- Slide the Ethernet Cable Boot over an outdoor rated CAT-5e Ethernet cable (Cable Not Provided).
- Repeat for second Ethernet Cable if necessary.



*NOTE: The Ethernet cable boot must be installed before the RJ-45 end is installed.
If using the ESTeem AA09.1 outdoor Ethernet cable, verify that the Ethernet cable boot end is routed toward the ESTeem*

Figure 7: Ethernet Cable Boot Assembly

Step 8: Ethernet Cable Routing – Single Cable (for dual Ethernet Cables or Ethernet/Serial, see Step 12)

- a) Feed the CAT-5e Ethernet connector through the Face Plate Cover.
- b) Secure the Ethernet Cable Boot over the hole in the Face Plate Cover.
- c) If only one Ethernet connector is needed, secure the Weather Proof Boot for Antenna Port B over the second hole in the Face Plate Cover.
- d) Inside the Face Plate Cover, route the CAT-5e Ethernet cable through the molded strain-relief fins to secure the cable and provide strain-relief for the connector.



Feed the connector through the face plate cover
And secure Ethernet Cable Boot



Route the cable through strain relief fins

Figure 8 Ethernet Cable Routing

Step 9: Face Plate Cover Installation

- Plug in the CAT-5e Ethernet cable to the modem's Ethernet port.
- Secure the Face Plate Cover to the modem with the attached thumb screw.
- Verify the weather proof seal on the Face Plate Cover is sealed against the outer rim of the case without any material showing.



Figure 9: Face Plate Cover Installation

Step 10: Antenna Connector Boot Installation

- Attach the antenna connector boots as shown for either dual attached antennas or external antennas.
- You are now ready to mount the ESTeem modem.

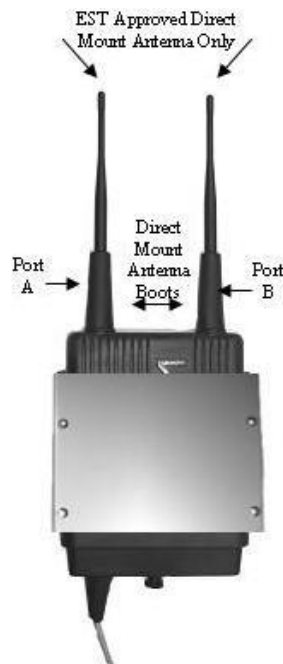


Figure 10: Antenna Connector Boot Installation

Step 11: Mounting Modem to Pole

- Place modem with Pole Mounting Brackets against pole facing the heat shield towards the sun's path. (Southern facing in Northern Hemisphere)
- Verify direct mount antennas are mounted in open air with the radio mounted at the top of the pole. The antennas should not be against the pole itself or any surface for best operation.
- Place Pole Mount Clamps over the end of the U-bolts securing with washer and nut on each end. Tighten until washer flattens. Do not over tighten.

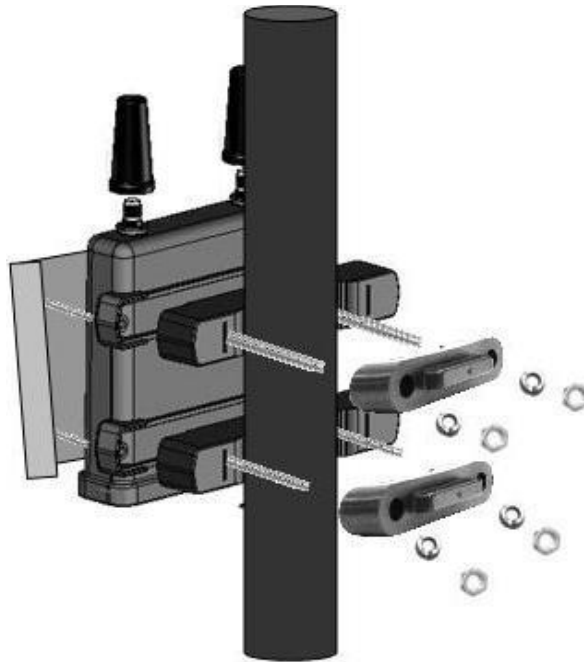


Figure 11: Mounting Modem to Pole

Step 12: Ethernet Cable Routing – Double Ethernet Cables

- Feed the CAT-5e Ethernet connectors through the Face Plate Cover.
- Secure the Ethernet Cable Boot over the hole in the Face Plate Cover.
- Repeat steps “a” and “b” for second Ethernet connector.
- Inside the Face Plate Cover, route the CAT-5e Ethernet cables through the molded strain-relief fins to secure the cable and provide strain-relief for the connectors.



Feed the connectors through the face plate cover
And secure Ethernet Cable Boots



Route the cables through strain relief fins

Figure 12: Ethernet Cable Routing - Double Ethernet Cables