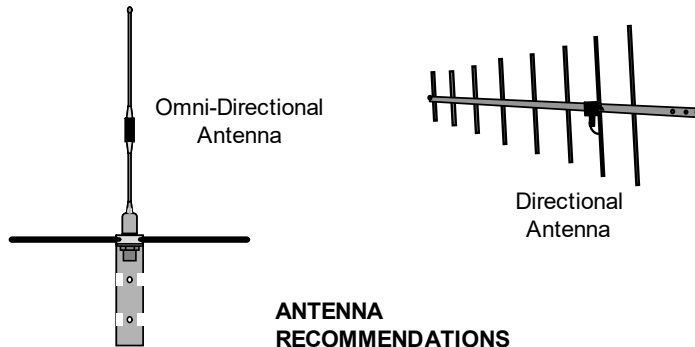


Model 195H Cabinet Mount Outdoor Fixed Base Hardware Diagram



ANTENNA RECOMMENDATIONS

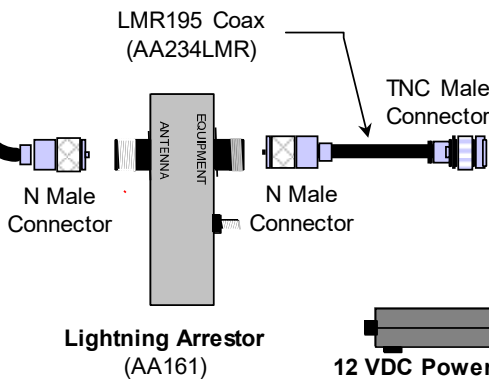
1. Omni-Directional (AA20H).
2. Directional (AA202H).

NOTES

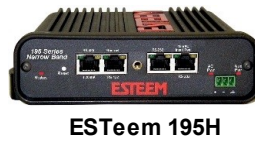
1. Use coax cable runs as short as practical to minimize cable losses.
2. Vapor wrap all external antenna coax connections with vinyl wrap (AA243)
3. Contact EST for recommendations regarding antenna mounting hardware and installation tips.
4. Ground antenna structure, base and lightning arrester.

Antenna Feedline Recommendations			
		Antenna Part No.	
	Feedline Type	AA20H	AA202H
< 50 ft. Length	RG-8	AA237	AA237
> 50 ft. Length	Helaix	AA236	AA236

N Male Connector




Ethernet Programming Cable (AA09.2)




12 VDC Power Supply (AA179)


Data Interface Accessories



RS-232 Interface Cable (AA0621.1)



RS-422/485 4/20mA Sensor Interface Cable (AA066)



Ethernet Interface Cable (AA09.2)