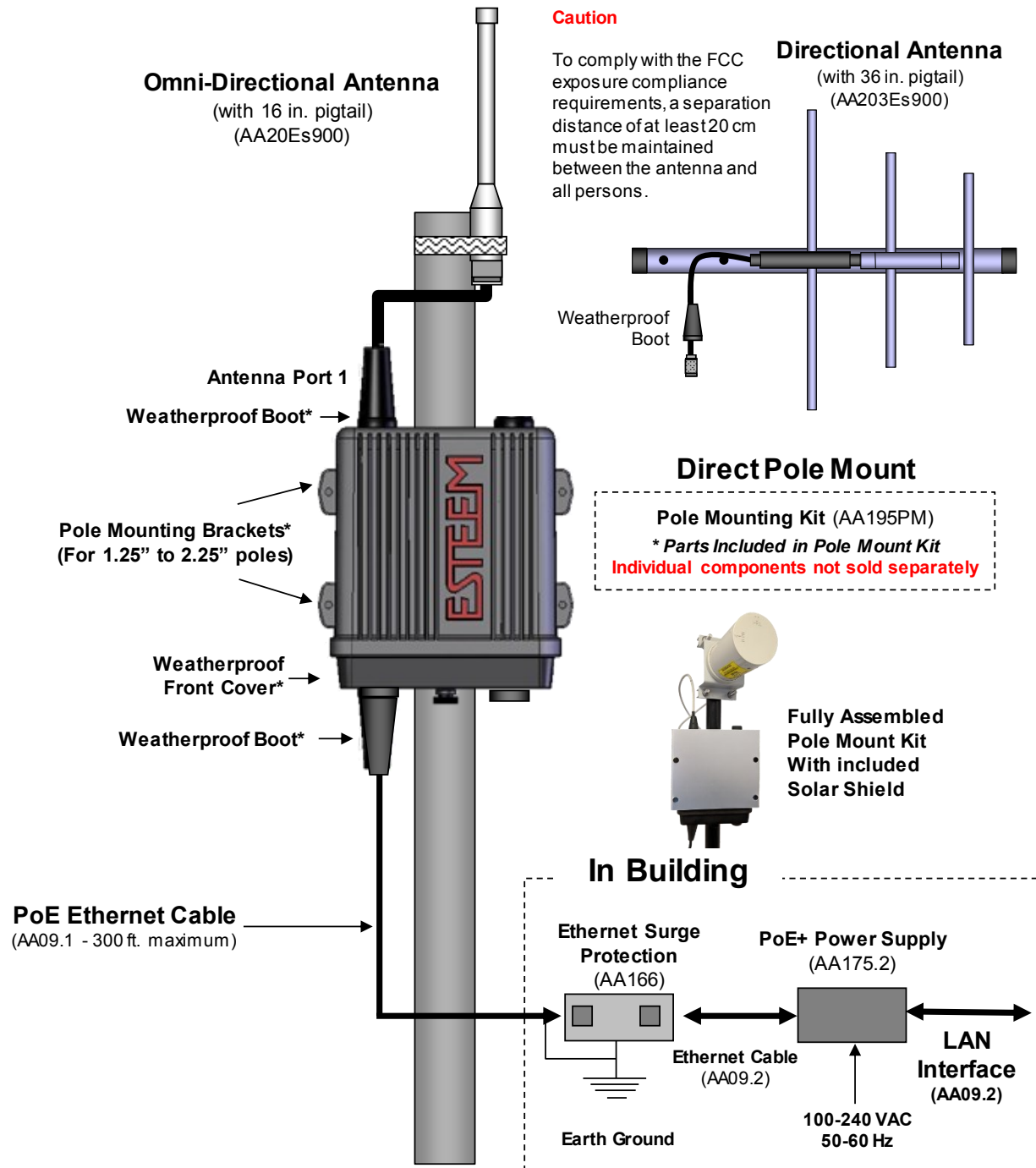


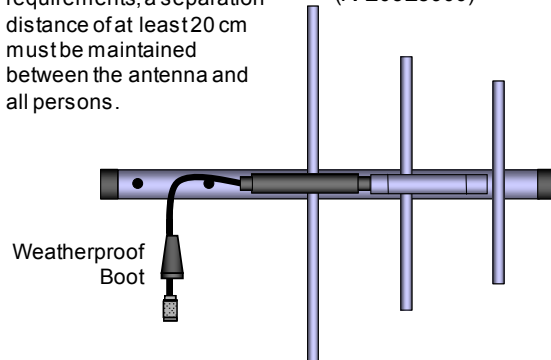
Horizon 900 External Mount Antenna w/Surge Protection



Caution

To comply with the FCC exposure compliance requirements, a separation distance of at least 20 cm must be maintained between the antenna and all persons.

Directional Antenna
(with 36 in. pigtail)
(AA203Es900)



Direct Pole Mount

Pole Mounting Kit (AA195PM)

* Parts Included in Pole Mount Kit
Individual components not sold separately



Fully Assembled Pole Mount Kit With included Solar Shield

In Building

