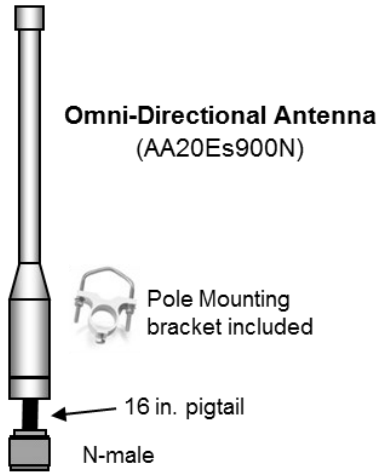
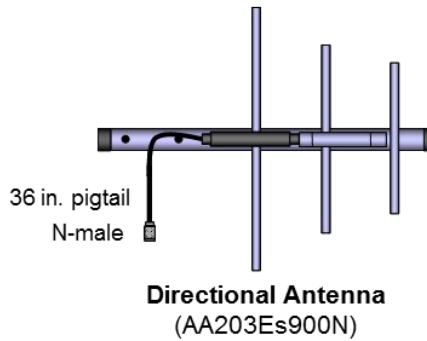


Horizon 900 Enclosure Mounting



Caution

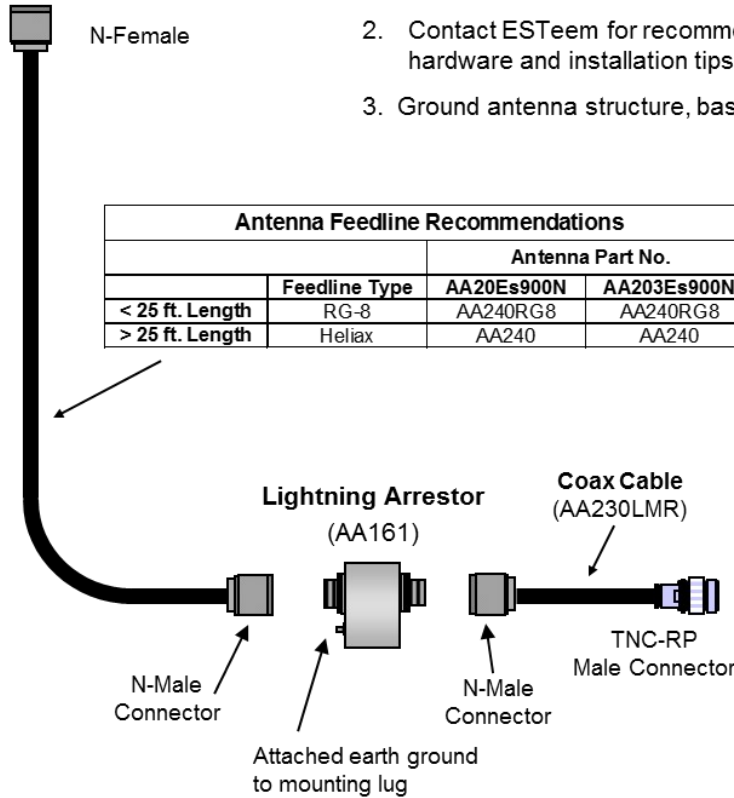
To comply with the FCC exposure compliance requirements, a separation distance of at least 20 cm must be maintained between the antenna and all persons.



NOTES

1. Vapor wrap all external antenna coax connections with vinyl wrap (AA241).
2. Contact ESTeem for recommendations regarding antenna mounting hardware and installation tips.
3. Ground antenna structure, base and lightning arrestor.

Antenna Feedline Recommendations		Antenna Part No.	
	Feedline Type	AA20Es900N	AA203Es900N
< 25 ft. Length	RG-8	AA240RG8	AA240RG8
> 25 ft. Length	Heliax	AA240	AA240



ESTeem Resources
(AA109)



RS-232 Interface Cable
(AA0621.1)



12 VDC Power Recommendations
Power Supply AA179
Battery Packs
Solar Power



Ethernet Interface Cable