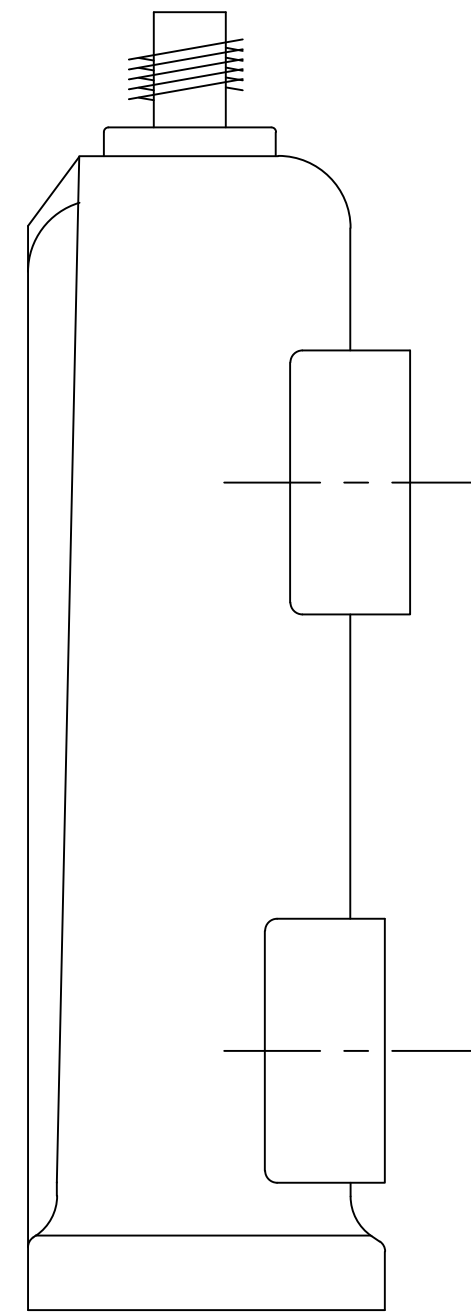
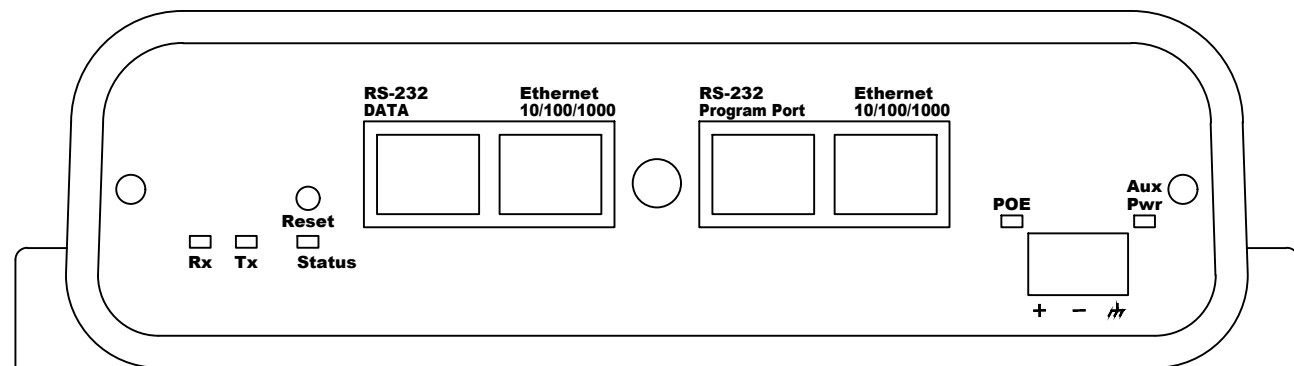


TOP VIEW



SIDE VIEW



FRONT VIEW



415 N. QUAY ST. BUILDING B-1
 KENNEWICK, WA. 99336
 P: (509) 735-9092
 www.esteem.com

THE DOCUMENT, DATA, AND INFORMATION CONTAINED THEREIN ARE CONFIDENTIAL AND PROPRIETARY TO ELECTRONIC SYSTEMS TECHNOLOGY INC. NEITHER THIS DOCUMENT NOR ANY DATA OR INFORMATION THEREIN MAY BE PRODUCED, USED, RELEASED OR DISCLOSED, IN WHOLE OR IN PART, WITHOUT THE EXPRESSED WRITTEN CONSENT OF ELECTRONIC SYSTEMS TECHNOLOGY INC.

NAME		DATE	COMPANY	
DRAFTER BM EKAR		10/25/2019		
DRAFTING CHECK				
ENGINEER				
ENGINEERING CHECK				
PROJECT MANAGER				
DESIGN AUTHORITY				
SIZE		DRAWING NO		REV
B		HORIZON 5.8-1		0
SCALE		SHEET		OF
1:1		1		1

HORIZON SERIES
 MODELS: HORIZON 5.8, HORIZON 2.4, HORIZON 4.9

ESTEEM
CASE
DIAGRAM