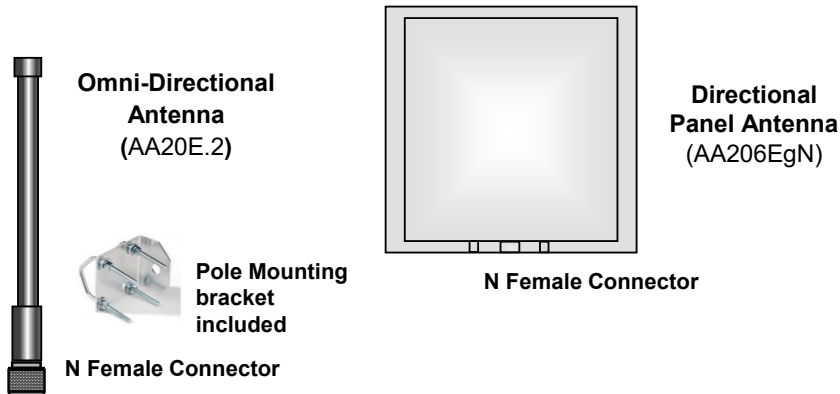


Horizon 2.4 MIMO Single Antenna Enclosure Mounting



Caution
To comply with the FCC exposure compliance requirements, a separation distance of at least 50 cm must be maintained between the antenna and all persons.

NOTES

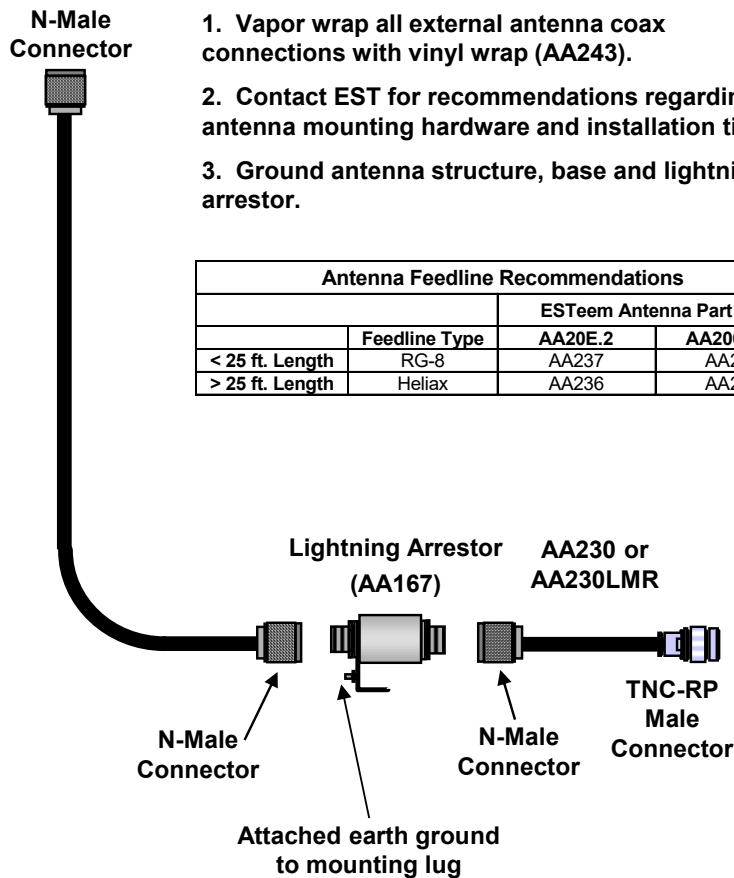
1. Vapor wrap all external antenna coax connections with vinyl wrap (AA243).
2. Contact EST for recommendations regarding antenna mounting hardware and installation tips.
3. Ground antenna structure, base and lightning arrester.

Antenna Feedline Recommendations

		ESTeem Antenna Part No.	
	Feedline Type	AA20E.2	AA206EgN
< 25 ft. Length	RG-8	AA237	AA237
> 25 ft. Length	Heliac	AA236	AA236



DIN Rail Mount (DIN-Mount)



12 VDC Power Recommendations
Power Supply AA179
Battery Packs
Solar Power



Ethernet Interface Cable